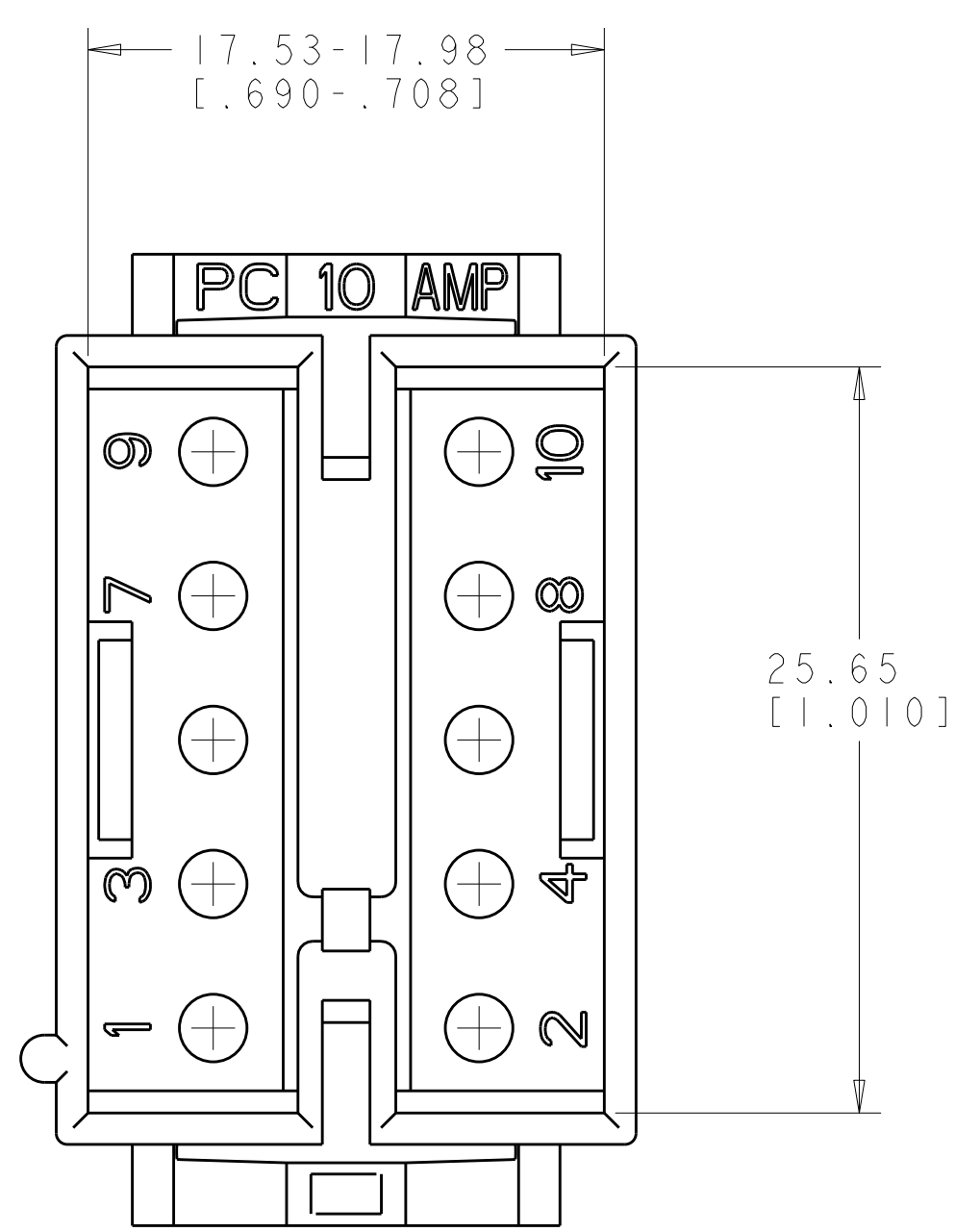
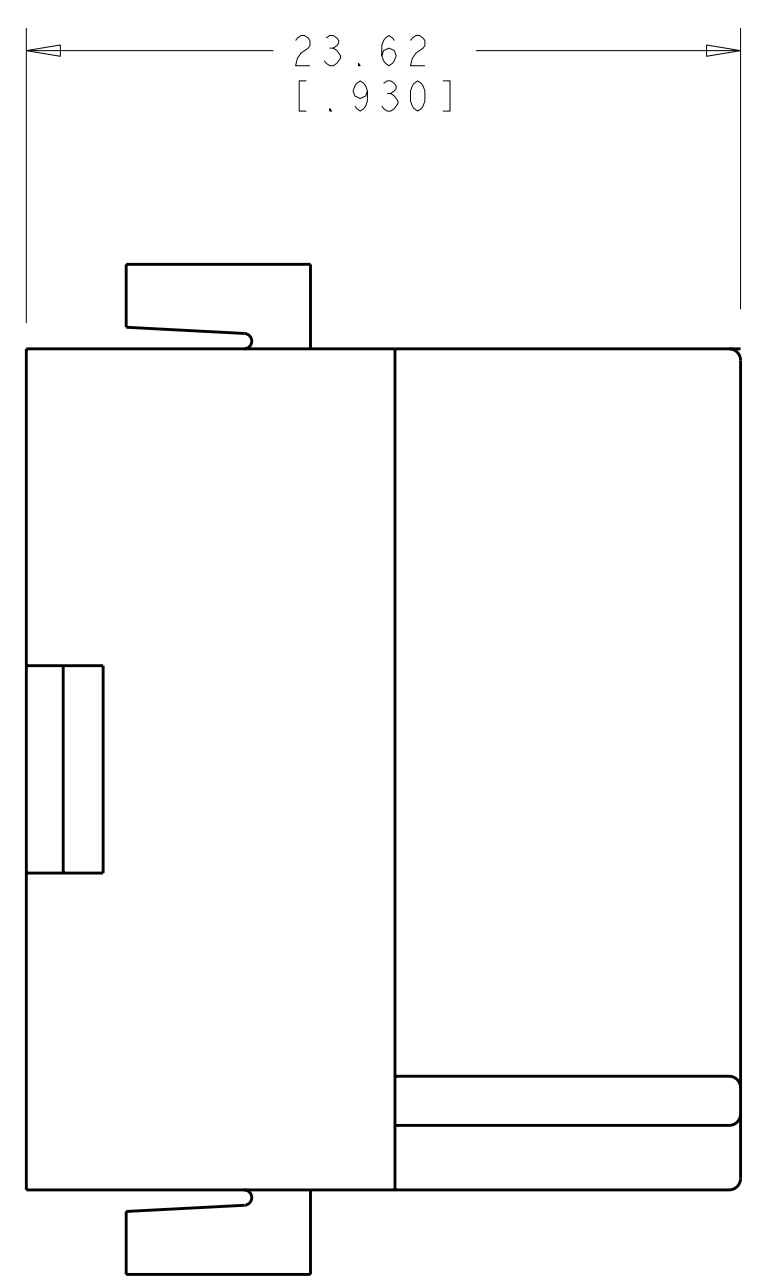
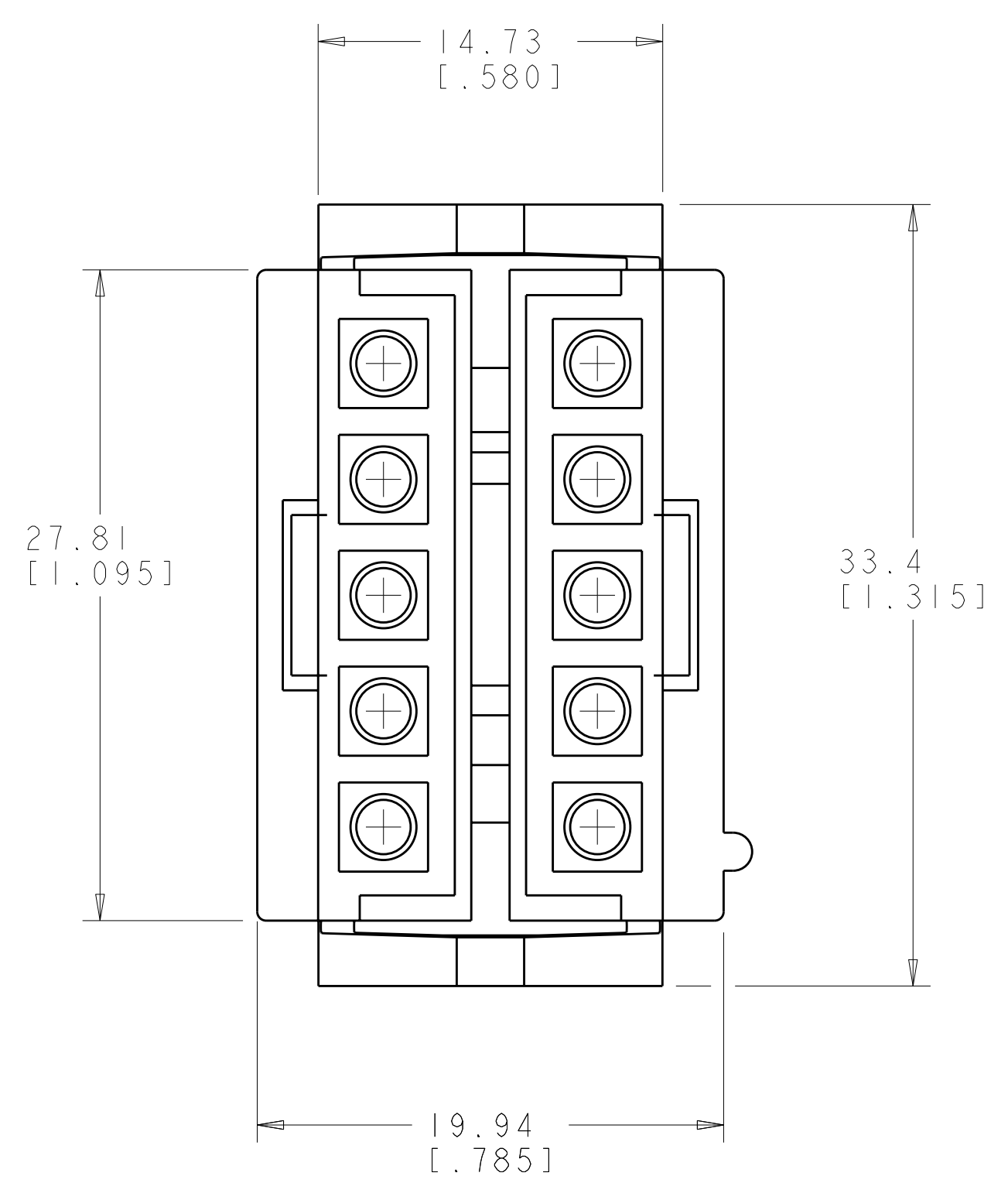
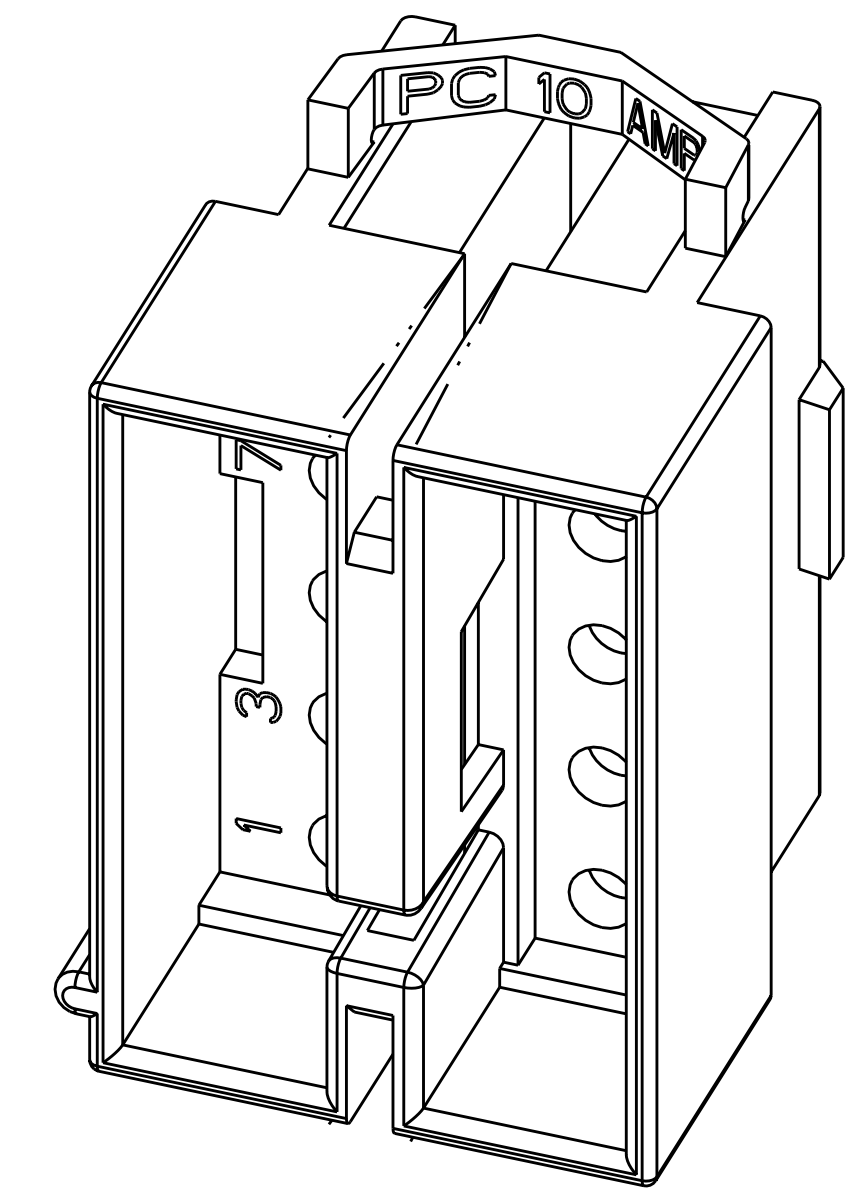
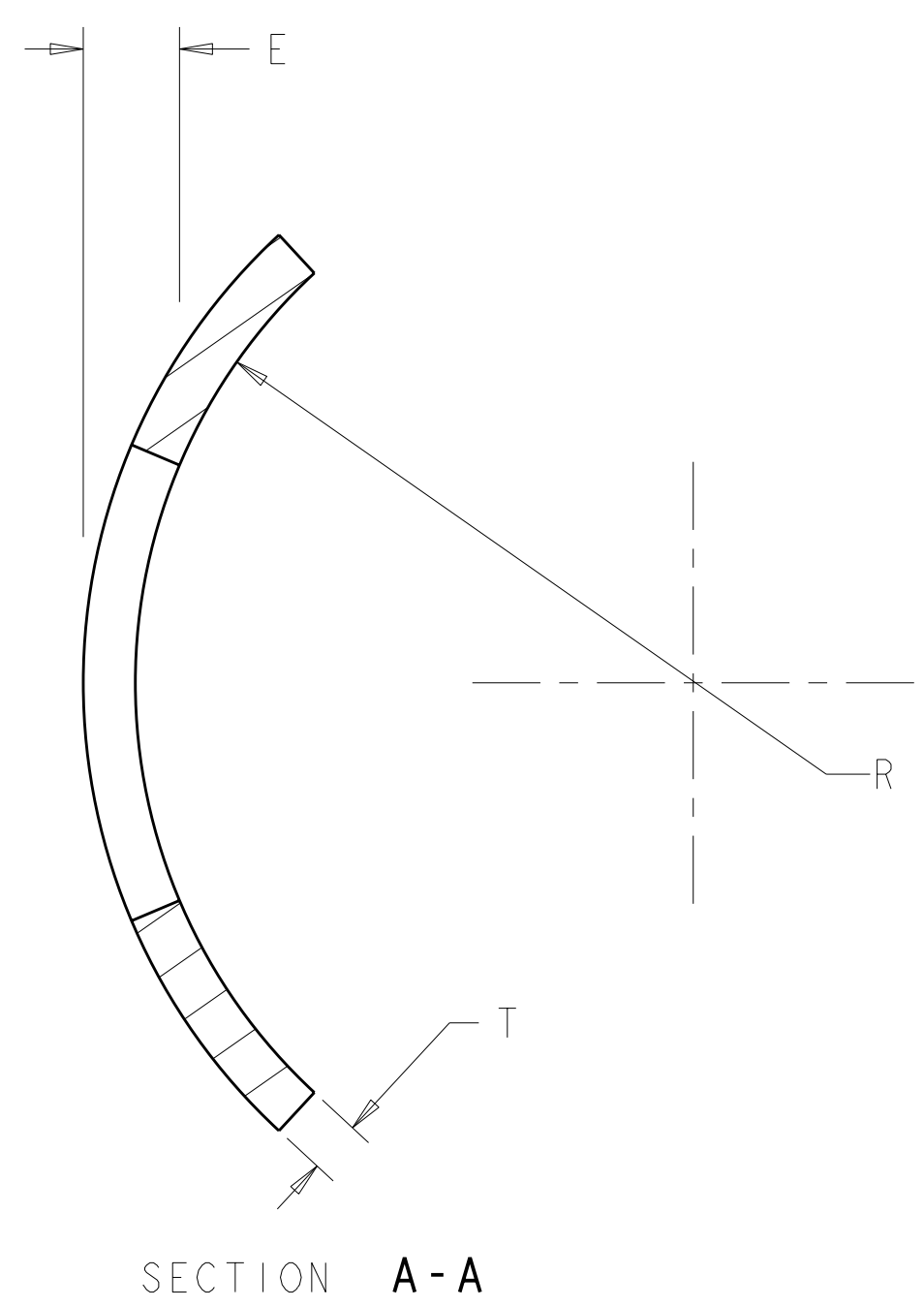
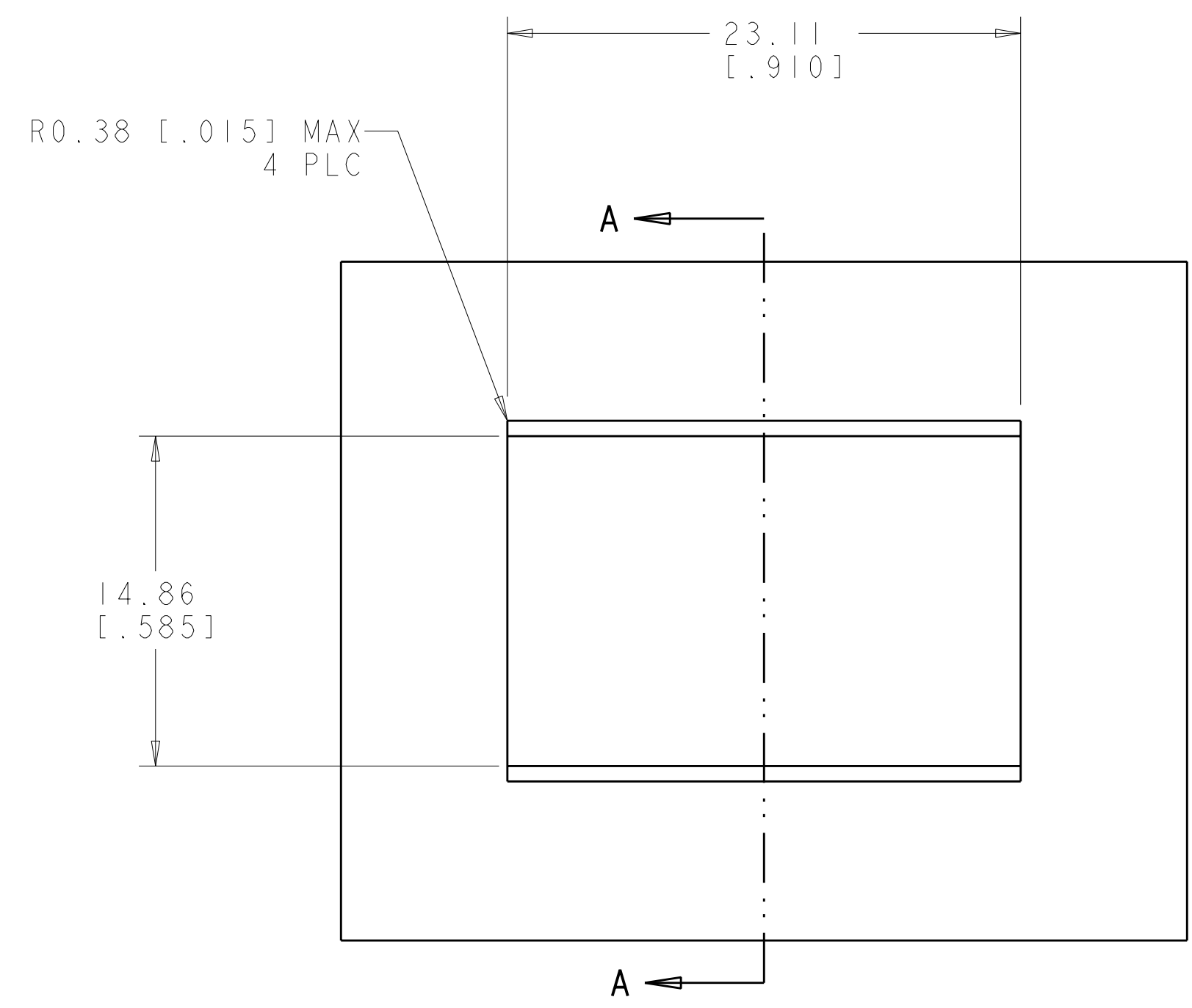
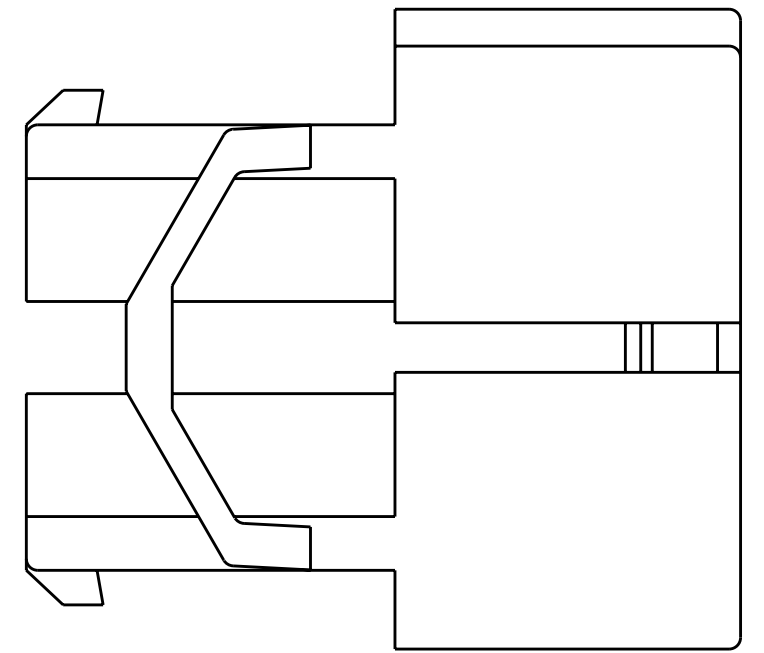


REV. NO.		REVISIONS			
LOC	DIST	DATE	BY	APP'D	DESCRIPTION
CM	00		HI		REVISED PER ECO-08-023758
		24SEP2008	HMR	CC	



- TO BE USED WITH COMMERCIAL MATE-N-LOK™ PINS.
- TO BE USED WITH PLUG 480285.
- RECOMMENDED PANEL THICKNESS "E" IS 1.02-2.54 [0.040-.100] AND IS DEPENDENT ON "T" AND "R".
- HOUSING MUST BE INSERTED IN A ROCKING MANNER.
- THE PANEL MUST BE PUNCHED SO THAT THE HOUSING ENTERS THE PANEL IN THE SAME DIRECTION AS THE PUNCH.
- PANEL MUST NOT HAVE ANY MATERIAL (PAINT, PORCELAIN, ETC.) APPLIED IN THE MOUNTING HOLE AREA THAT WOULD DECREASE RETENTION OF THE HOUSING IN THE PANEL.



RECOMMENDED CUT OUT

METRIC

0.284 IN ³	1-480286-0
VOLUME	PART NUMBER

<small>THIS DRAWING IS UNPUBLISHED. RELEASED FOR PUBLICATION BY TYCO ELECTRONICS CORPORATION. ALL RIGHTS RESERVED.</small>		DWN: R. WHITAKER CHK: C. CASH APVD: C. CASH	Z0DEC2007 Z0DEC2007 Z0DEC2007	Tyco Electronics Harrisburg, PA 17105-3608
DIMENSIONS: mm [INCHES]		TOLERANCES UNLESS OTHERWISE SPECIFIED:		NAME: CAP, 10 CIRCUIT, MOTOR MOUNT, COMMERCIAL MATE-N-LOK (TM)
		9 PLC ± 1 PLC ± 5 PLC ±0.13 [0.005] 4 PLC ± ANGLES ± FINISH		PRODUCT SPEC: APPLICATION SPEC: WEIGHT: CUSTOMER DRAWING
MATERIAL: NYLON, UL 94V-2 NATURAL		FINISH:		SIZE: A100779 CAGE CODE: C=480286 DRAWING NO: 480286-0 SCALE: 4:1 SHEET: 1 OF 1 REV: HI